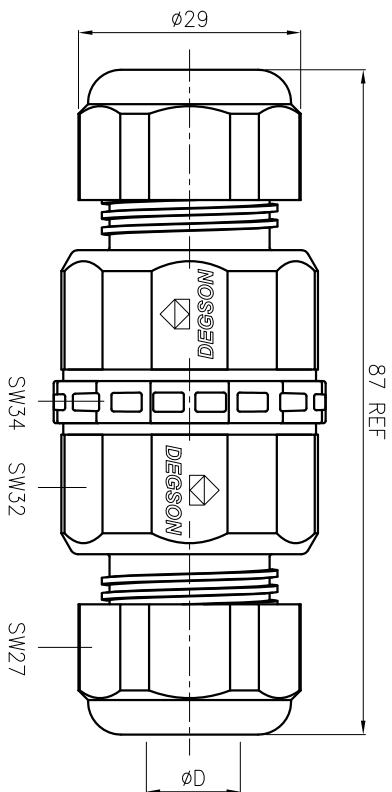
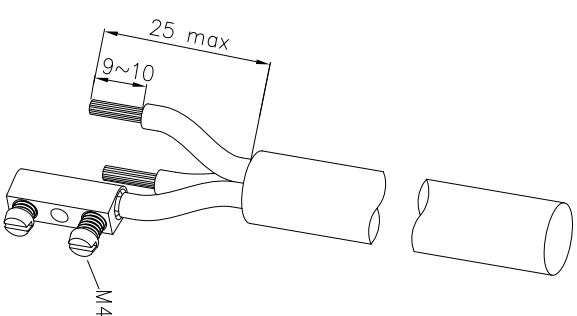
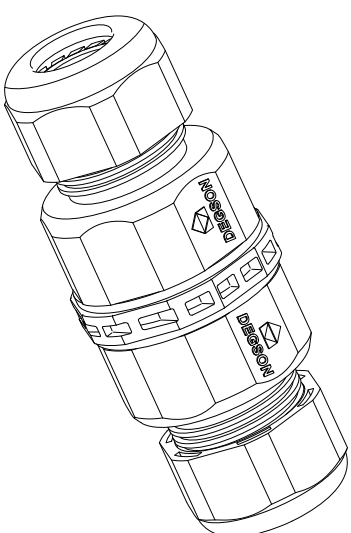


Plan B

REVISION RECORD			
REV	ECN	DESCRIPTION	DWFT DATE



φD	1 hole
Type	Clamping range
● U	φ10~14
W	φ7~12



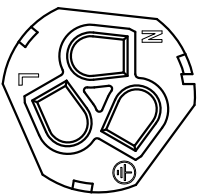
NOTES:

1. Plastic shell material: PA66 ;
2. Carrier material: Cu plating: Ni ;
3. Mode of connection: M4 Screw,
4. Screw material: steel, plating: Zn,
5. O spacer material: EPDM/SI ;
6. Flammability rating: V2(UL94),
7. RoHS Compliance .

YX-C-3 N-M28B-U  
 Conductors NO. \_\_\_\_\_  
 Pin: 3....  
 U (φ10-φ14)  
 W (φ7-φ12)

Technique parameter-3 PIN

Rated voltage	600V
Rated current	30A
Insulation resistance	≥100MΩ
Withstanding voltage	2000VAC
Operating temperature	-40°C~+85°C
Levels of protection	IP68
Wire gauge	1.5~4.0mm <sup>2</sup>



3 pin

Dimensional tolerance(mm)				
≤30	30 ~ 60	60 ~ 100	100 ~ 150	>150
±0.20	±0.30	±0.50	±0.70	±1.00

DETACHED LISTS

PART NO.:	/
APPD:	YX-C Series
CHKD:	
DWFT:	WYM 2020/08/12
THIRD ANGLE PROJECTION	

NAME:	NINGBO DEGSON ELECTRICAL CO., LTD
TITLE:	宁波高松电子有限公司
DRAWING NO.:	ASSEMBLY DRAWING
DO NOT SCALE DRAWING	
SCALE	1:1